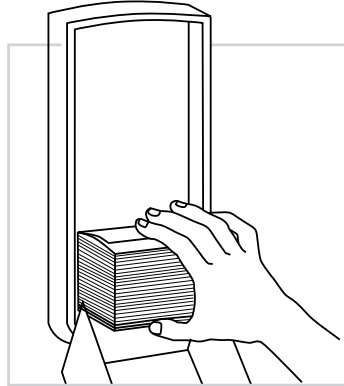
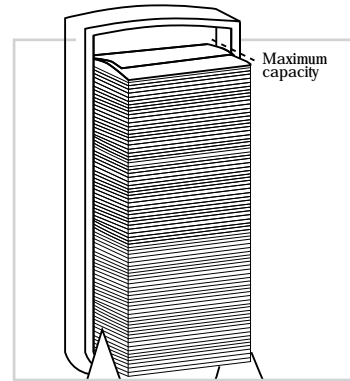


Usage Guide - Soft Interleaved Toilet Tissue Single Dispenser

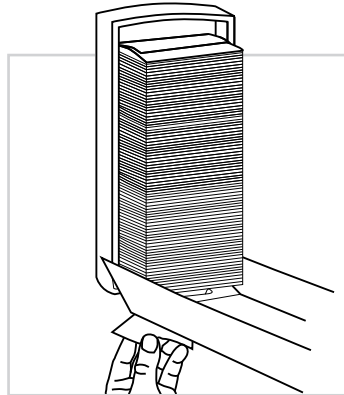
1 How to Load



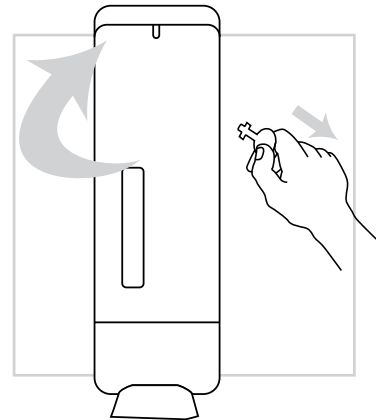
1. Use key to unlock the dispenser and lower front lid.
2. Remove wrapper and insert pack into the dispenser.



3. For best results do not fill above the "displayed" recommended line.
4. Overfilling above the recommended line will cause the dispenser to jam.

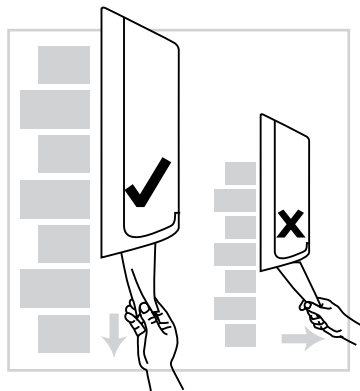


5. Feed first sheet through mouth at bottom of dispenser.



6. Remove key from lock and firmly close front lid.

2 How to Use



1. Always pull tissues straight down. Pulling at an angle will cause tearing.